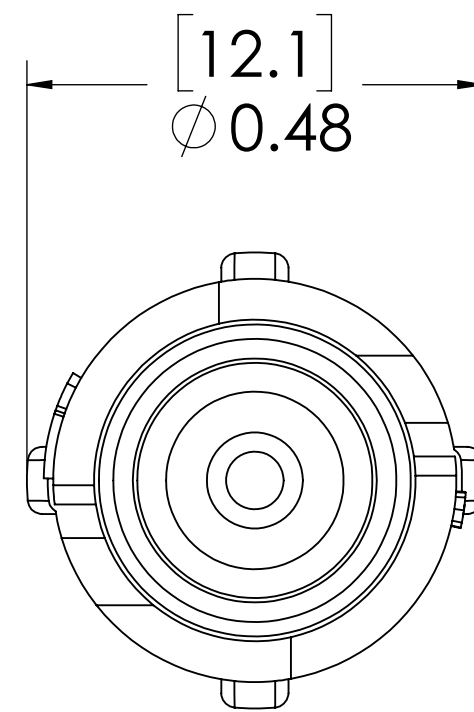
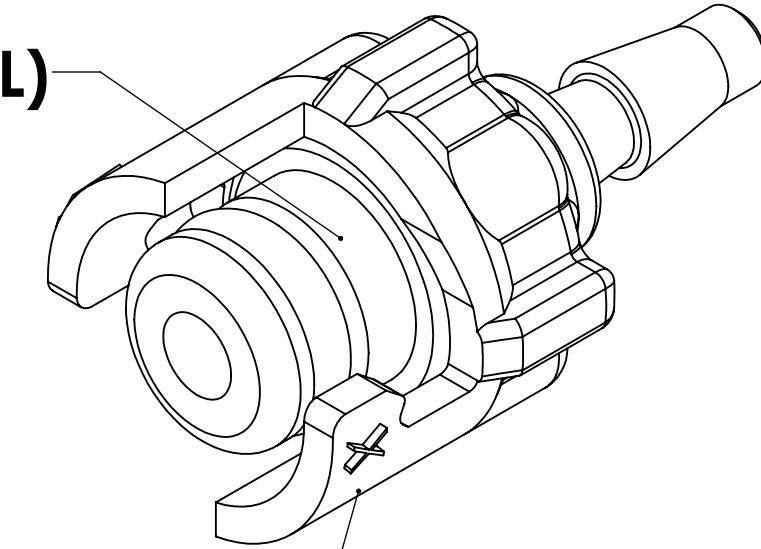


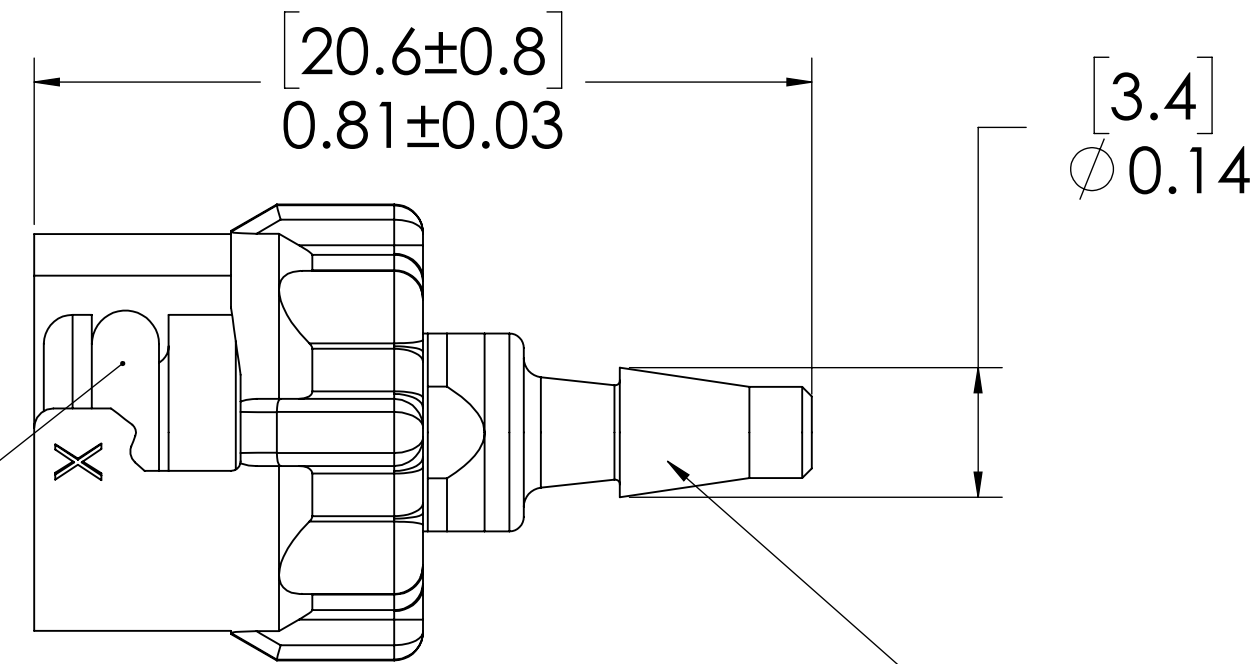
REVISIONS						
SHEET	ZONE	REV.	ECO	DESCRIPTION	DATE	APPROVED
1	ALL	NC	50307	INITIAL RELEASE	1/10/2020	HRC

**PLUG,
(ACETAL)**

**LOCK SLEEVE,
(ACETAL)**



**O-RING,
(BUNA-N)**



3MM TUBE ID

NOTES:

1. MATERIAL: ACETAL
2. COLOR: BLACK
3. O-RING MATERIAL: BUNA-N
4. O-RINGS LUBRICATED WITH FOOD GRADE SILICONE OIL, 350 CST.

FOR REFERENCE ONLY

<small>UNLESS OTHERWISE SPECIFIED: DIMENSIONS ARE IN INCHES TOLERANCES: FRACTIONAL ± 1/32 ANGULAR: MACH ± 0.5 BEND ± 2 ONE PLACE DECIMAL ± 0.1 TWO PLACE DECIMAL ± 0.01 THREE PLACE DECIMAL ± 0.005 TWO PLACE DUAL (mm) [± 0.12]</small>	DRAWN	RDA	10/15/2019							
	CHECKED	HRC	10/15/19							
	ENG APPR.	HRC	1/10/20	PART NO: 10AC-PB2-M3BLK						
	MFG APPR.	BDB	1/10/20	DESCRIPTION: LinkTech 10AC Series Straight Male, Non-valved, 3mm HB, Black, Natural Aceta						
<small>PROPRIETARY AND CONFIDENTIAL THE INFORMATION CONTAINED IN THIS DRAWING IS THE SOLE PROPERTY OF LINKTECH LLC. ANY REPRODUCTION OR DISCLOSURE IN PART OR AS A WHOLE WITHOUT THE WRITTEN PERMISSION OF LINKTECH LLC IS STRICTLY PROHIBITED.</small>	PURCHASING	RK	1/10/20	<table border="1"> <tr> <td>SIZE</td> <td>DWG. NO.</td> <td>REV</td> </tr> <tr> <td>C</td> <td>10AC100099</td> <td>A</td> </tr> </table>	SIZE	DWG. NO.	REV	C	10AC100099	A
SIZE	DWG. NO.	REV								
C	10AC100099	A								
COMMENTS:			SCALE: NTS	WEIGHT:	SHEET 1 OF 1					